

Introduction



Tyco Electronics has developed the AMP SUPERSEAL 1.5 SERIES Connector family to meet the increasing requirements for reliability and water proofness.

AMP SUPERSEAL 1.5 SERIES Connector exceed the requirements prescribed by IP 67 according IEC 60529 and DIN 40050-9 standards and has its application in the automotive, agriculture and industrial machinery.

For sensor application the AMP SUPERSEAL 1.5 SERIES Connector system is qualified as well.

Advantages

- Compact system minimizes packaging requirements
- Sealing reliability proven under harsh conditions
- Designed for ease of manual harness assembly, engine mounting and under hood environments

Applications

- Wire-to-Wire (1.5 mm) and ECU applications, under hood or any location where sealing is required
- Suitable for automotive, truck, bus, or off-road vehicles

Receptacle Contacts

Technical Features

Contact Material:
 CuZn (Tab)
 CuSn (Receptacle)

Contact Finish:
 tin plated

Current Carrying Capacity:
 14 A max.

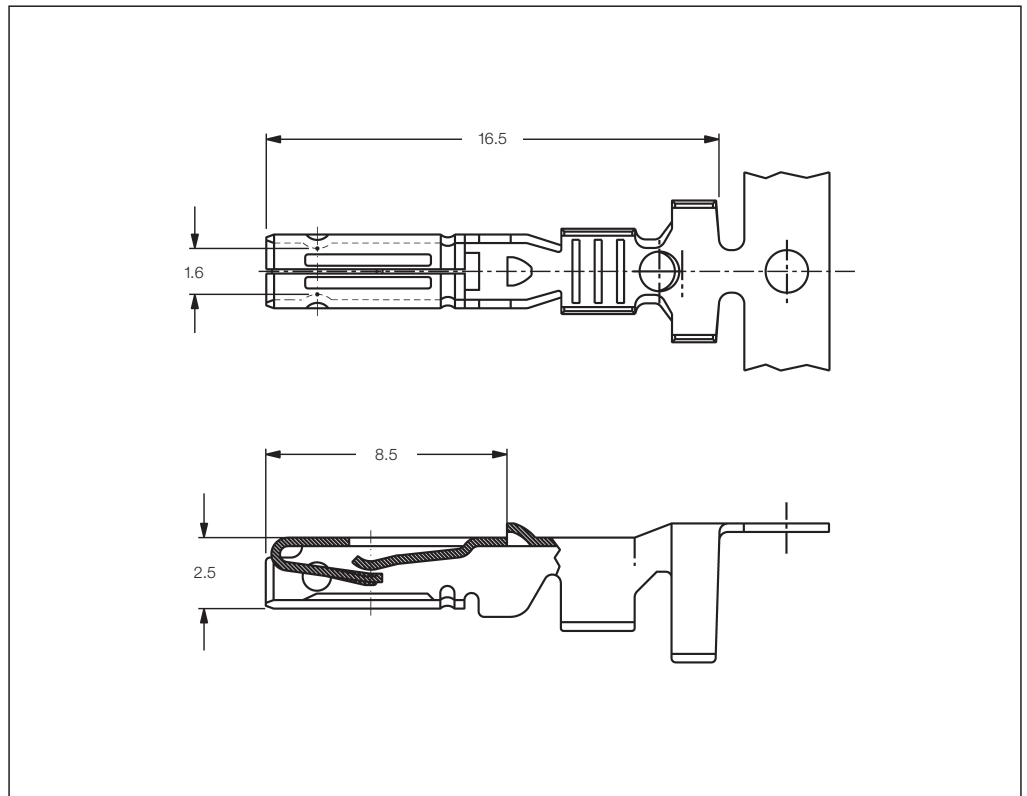
Wire Size Range:
 0.35–2.5 mm²

Insulation Diameter:
 1.2–3.3 mm FLR

Extraction Tool:
 Part No. **9-1579007-1**

Product Specification:
 108-20090

Application Specification:
 114-20045



1.5 mm Receptacle Contacts

Wire Size Range (mm ²)	Insulation Diameter (mm)		Material and Finish	Part Numbers				Applicator [♦]	Hand Tool
	FLK	FLR		Strip Form	Package Quantity	Loose-Piece	Package Quantity		
0.35–0.50	1.45–2.20	1.2–1.6	CuSn, tin plated	282403-1	14,000	183035-1	5,000	x-1528347-x	2031676-1
0.75–1.50	2.40–3.35	1.7–2.4	CuSn, tin plated	282110-1	14,000	183025-1	5,000	x-1528018-x	2031676-1
1.5–2.5	3.15–3.80	2.2–3.3	CuSn, tin plated	282466-1	14,000	–	–	x-1426361-x	–

Note: All part numbers are RoHS and ELV compliant.

[♦]) The pre- and suffix for the applicators depends on the applied termination equipment.

Tab Contacts

Technical Features

Contact Material:

CuZn (Tab)
 CuSn (Receptacle)

Contact Finish:

tin plated, gold plated

Current Carrying Capacity:

14 A max.

Wire Size Range:

0.35–2.5 mm²

Insulation Diameter:

1.2–3.3 mm FLR

Extraction Tool:

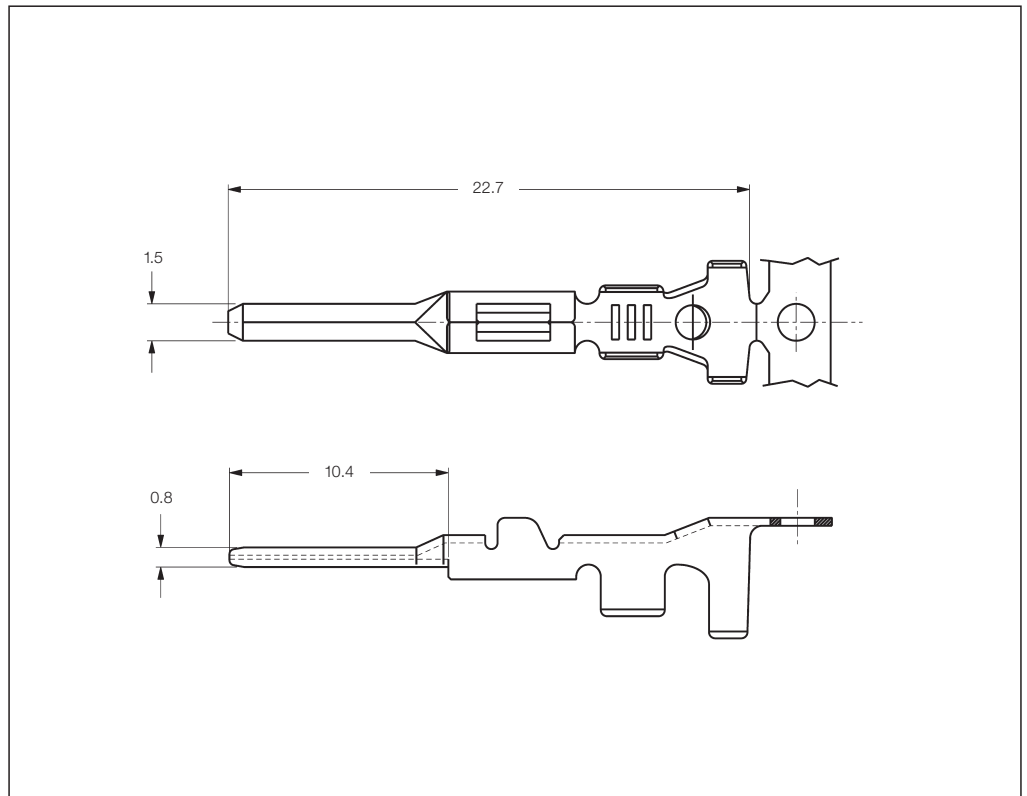
Part No. **9-1579007-1**

Product Specification:

108-20090

Application Specification:

114-20045



1.5 mm Tab Contacts

Wire Size Range (mm ²)	Insulation Diameter (mm)		Material and Finish	Part Numbers				Applicator [◆]	Hand Tool
	FLK	FLR		Strip Form	Package Quantity	Loose-Piece	Package Quantity		
0.35–0.50	1.45–2.20	1.2–1.6	CuZn, tin plated	282404-1	16,000	183036-1	5,000	x-1528199-x	2031676-1
			CuZn, gold plated	282404-3	16,000	–	–		
0.75–1.50	2.40–3.35	1.7–2.4	CuZn, tin plated	282109-1	16,000	183024-1	5,000	x-1528463-x	2031676-1
			CuZn, gold plated	282109-3	16,000	–	–		
1.5–2.5	3.15–3.80	2.2–3.3	CuZn, tin plated	282465-1	16,000	–	–	x-1528200-x	–

Note: All part numbers are RoHS and ELV compliant.

◆) The pre- and suffix for the applicators depends on the applied termination equipment.